



# Wind Speed Sensor

## OVERVIEW

The MBMet 100 series Wind Speed Sensors are specifically designed to provide reliable and accurate wind velocity measurements under adverse environmental conditions. Digital circuits are capable of strong RFI and EMI resistance and the automatic temperature compensation are built in. The sensor inside and turning position comes with protective sealing offering superb dirt and weather resistance for long-term measurement stability in dirty and cloudy environments.



MBMet 100 series

## BENEFITS AND FEATURES

- ▶ Low starting threshold
- ▶ Strong corrosion resistant ability
- ▶ Stainless steel wind cup, anti-wind load upto 70m/s
- ▶ Various Output signal options
- ▶ Double bearing design
- ▶ Easy Installation

## APPLICATIONS

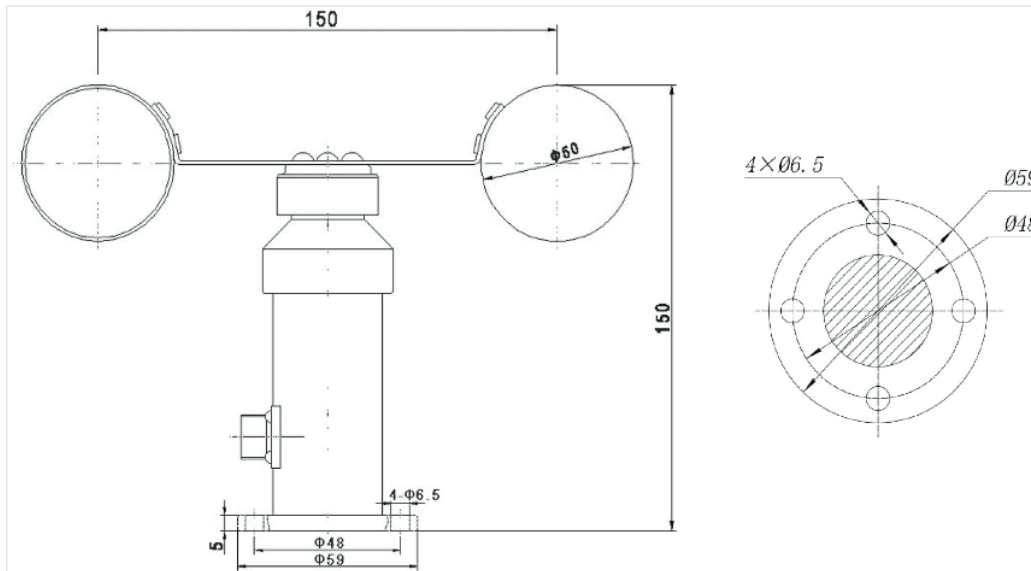
- ▶ Weather Station
- ▶ Smart Cities
- ▶ Solar and Wind Power Generation Plants
- ▶ Marine Vessels
- ▶ Airports
- ▶ Road Management

## TECHNICAL DESCRIPTION

Model/Parameters	MBMet-100A		MBMet-100B		MBMet-100C		MBMet-100D	
Measuring Range	-A 0 to 30m/s	-B 0 to 60m/s	-A 0 to 30m/s	-B 0 to 60m/s	-A 0 to 30m/s	-B 0 to 60m/s	-A 0 to 30m/s	-B 0 to 60m/s
Communication Output	4-20mA		RS-485 Modbus		0-5V		0-10V	
Accuracy	±3%FS		±2%FS		±3%FS		±3%FS	
<b>Measurement Performance</b>								
Starting Wind Speed	<0.8m/s							
Survival Wind Speed	70m/s							
<b>Electrical Specifications</b>								
Input Voltage	12 to 24VDC							
Power Consumption	16.8mA @ 12VDC							
<b>General Specifications</b>								
Operating Temperature	-30°C to +70°C							
Ingress Protection Rating	IP65							
Storage Condition	10°C to 60°C @ 20% to 90%RH							
Cable Type/Length	UV protected cable/3 meters							
Dimension	Cup rotor : ø200mm, Height : 150mm							
Body Material	Cup : 304 stainless steel, Main Body : Aluminum alloy							
Weight (packed)	480g (with standard 3 meters cable)							



## DIMENSIONS & MOUNTING



## ORDERING STRING

Model	Series	Output	Range	Accessories	Cable Length	
MBMet						
	100					
		A				4-20mA
		B				RS-485 Modbus
		C				0 to 5V
		D				0 to 10V
			A			0 to 30m/s
			B			0 to 60m/s
				A		With Pole Mounting Accessories
				X		Without Pole Mounting Accessories
					3000	Units : mm (default)
					.....	Units : mm (on request)

For example : MBMet-100B-BA3000

Parameter : Wind Speed, Output : RS-485 Modbus, Range : 0 to 60m/s  
with Pole Mounting Accessories, Cable Length : 3 meters

## SEE ALSO

- **MBMet 110** Wind Direction Sensor
- **MBMet 120** Wind Speed & Direction Sensor
- **MBMet 140** Ultrasonic Wind Speed & Direction Sensor
- **MBMet 800** PV Module Temperature Sensor
- **MBMet 901** Air Temperature, Humidity & Pressure Sensor
- View our complete range of **Weather Sensors**

\*\*Specifications are subject to change without notice.

